

hotspring®

Coil Heater

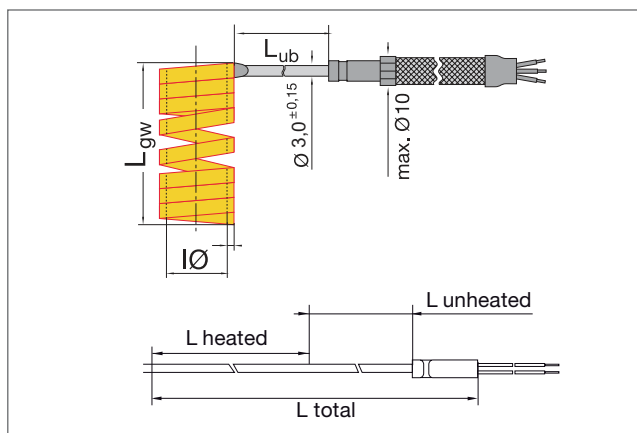
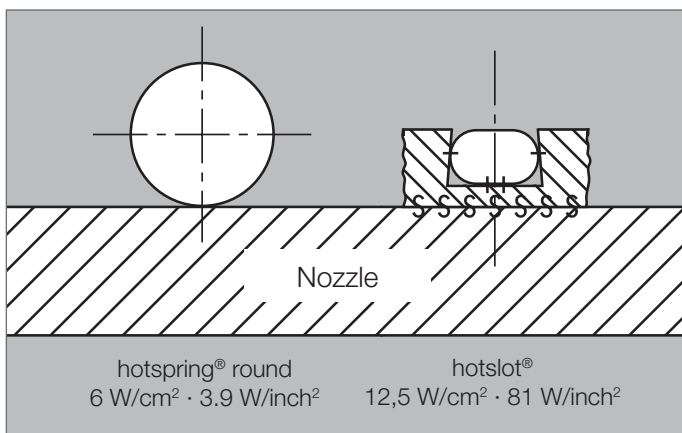
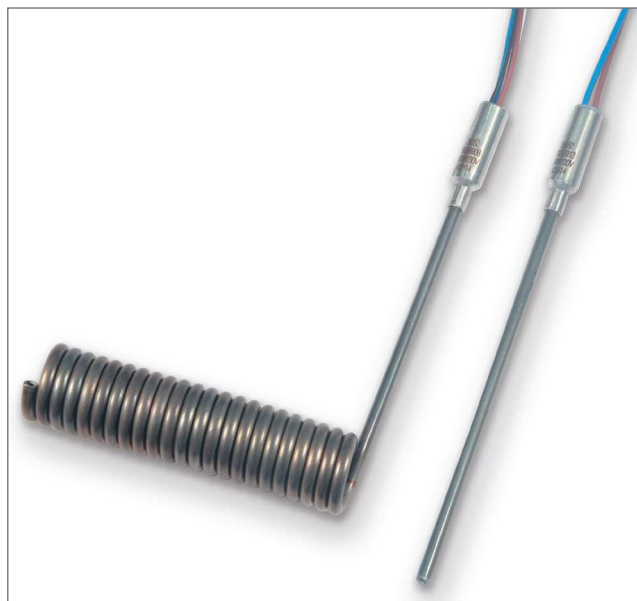
hotspring® Classic/R 3,0

Coil heater with round cross section

Specifications

Sheath material	Stainless steel 1.4541
Maximum sheath temperature of heating element	max. 750 °C / 1380 °F
Connection head dimensions	Ø 6.9 x 25 mm / 0.27 x 0.98 inch
Minimum Length unheated zone	25 mm / 1.38 inch
Length tolerance unheated zone	± 5%, least ± 15 mm / 0.59 inch
Length tolerance heated zone	± 1%
Minimum inner bending radius	4 mm / 0.16 inch
Insulation material	compressed MgO
Maximum connection head temperature	max. 260 °C / 500 °F
Connection voltage	230 V standard, 250 V max.
Wattage tolerance*	± 10%
High voltage test*	min. 800 V AC,
Insulation resistance*	≥ 5 MΩ at 500 V DC
Leakage current*	≤ 0.5 mA at 253 V AC
Max. total length straight	max. 3000 mm / 118 inch
Coiled inner Ø tolerance	up to Ø 12 mm: -0.05 / -0.20 mm up to Ø 30 mm: -0.10 / -0.30 mm up to Ø 50 mm: -0.20 / -0.40 mm ± 1.5% least ± 1 mm / 0.039 inch
Coiled length tolerance	up to 0.47 inch: -0.2 / -7.9 mils up to 1.18 inch: -3.9 / -11.8 mils up to 1.97 inch: -7.9 / -15.7 mils

* tested at environmental temperature



Sheath surface load

L_{gw} = coiled length
L_{ub} = length unheated zone

hotspring®				Specifications		□ = Options ■ = Special Editions	
Specifications	Dimensions [mm]	Max. wattage [W]	Thermocouple in heater	Thermocouple coiled in reflection tube	Reflection tube with thermal decoupled temperature measure ring	Available in straight condition	Casted in brass
			Smaller connection heads	Tangential connection heads	Axial clamping band	Lock-System	
Classic /R	round	3,0	740	□	□	1	

*** Dimensions on request ***