

hotcast[®] Die-Casting Nozzle Heater

GMH - Sealed Nozzle Heater

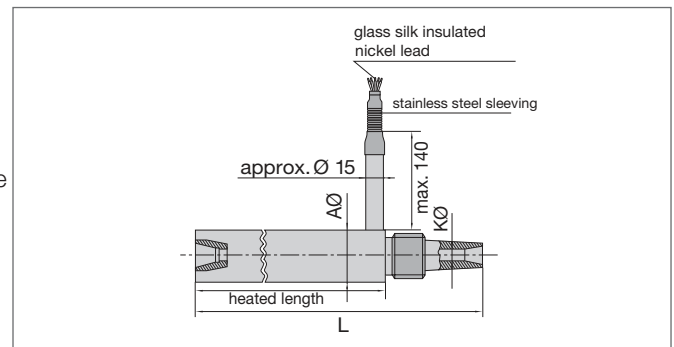
- Heated machine nozzle with integrated hotspring maxi coiled heater
- Completely sealed system
- Power distribution for equal heat distribution
- Deep immersion into the cavity, extra long
- Small outer diameter
- Long lifespan
- High energy savings in comparison to gas heating



Technical Key Features

Heating element	hotspring Maxi
Max. heating element temperature	750 °C / 1380 °F
Max. connection area temperature	260 °C / 500 °F
Voltage	230 V standard
Wattage tolerance*	± 10 %
High voltage test*	1250 V AC
Insulation resistance*	≥ 5 M at 500 V DC
Leakage current*	≤ 0.5 mA at 253 V AC
Standard connection lead	glass silk insulated, nickel, multistranded, with ground wire and stainless steel sleeving, L = 1500 mm / 59 inch integrated, Type K (NiCr-Ni)
Thermocouple	

*tested at environmental temperature

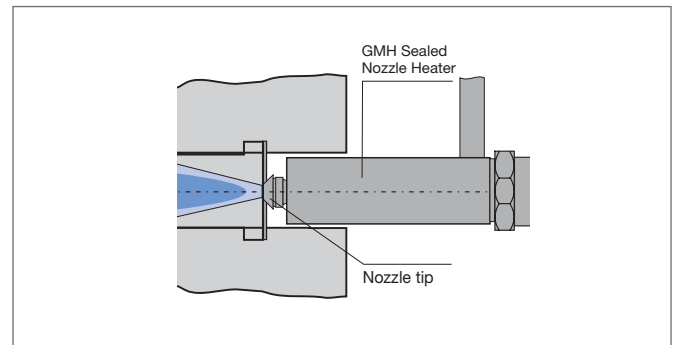


K \varnothing = inner diameter
A \varnothing = outer diameter

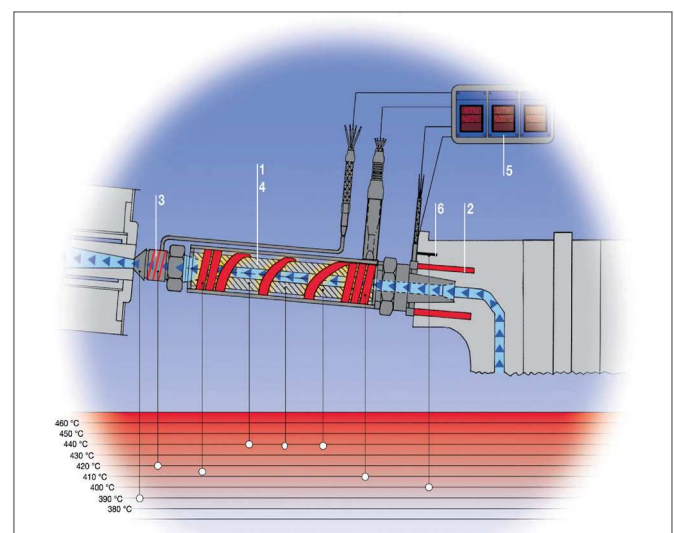
L = length
all measurements in mm

Options

- Insulation tube for energy saving
- Surface treatment of the flow path for flow velocity > 50 m/s / 164 ft/s
- Various connection types available (moisture protection required)
- Nozzle tip heated/unheated
- Easy removal nut



heating system of a hotcast GMH sealed heater



Stock Range

Stock ID	Type	Inner Ø [mm]	Outer Ø [mm]	Length [mm]	Heated Length [mm]	Wattage [W]	Voltage [V]
5630133	GMH 5	7.0	42.0	149	81	550	230
5630139	GMH 20	9.5	42.0	178	110	700	230
5640165	GMH 50	11.0	55.2	257	167	1300	230
5640154	GMH 80	11.0	55.2	286	196	1500	230
5650258	GMH 125	18.0	62.2	330	240	1800	230
5650365	GMH 200	18.0	77.2	422	302	2600	400
5630135	GMH 5-T	7.0	42.0	169	101	750	230
5630144	GMH 20-T	9.5	42.0	208	140	900	230
5630254	GMH 80-T	11.0	55.2	316	226	1600	230
5630256	GMH 125-T	18.0	62.2	370	281	1900	230
5630257	GMH 200-T	18.0	77.2	462	342	2800	400
5630258	GMH 20-TT	9.5	42.0	228	160	900	230
5630260	GMH 50-TT	11.0	55.2	310	220	1600	230
5630259	GMH 80-TT	11.0	55.2	336	246	1600	230
5630261	GMH 125-TT	18.0	62.2	380	290	1900	230

hotcast[®] Die-Casting Nozzle Heater

OMH – Open Ended Nozzle Heater

- Sheathed, flat hotspring maxi coiled heater for nozzles
- Replaces traditional block or propane heat
- Power distribution for even temperature control
- Tight fit clamping band with end rings prevents penetration of material from overmoulding
- Long lifespan

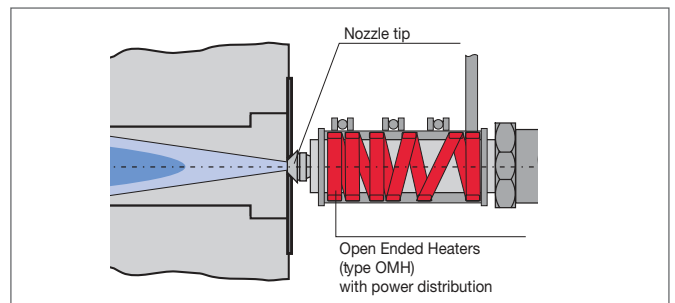
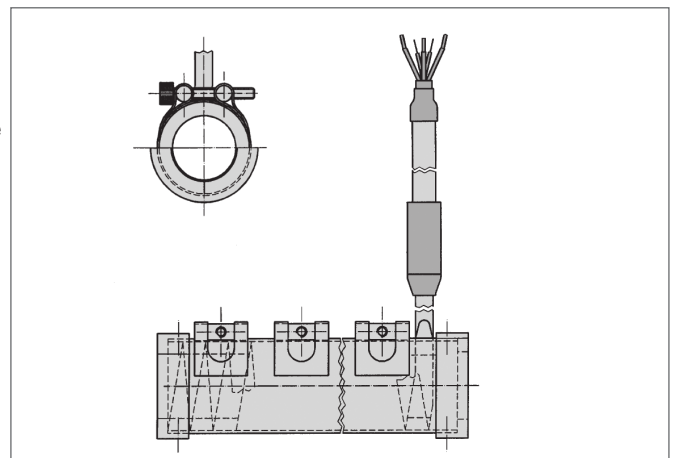
Technical Key Features

Heating element	hotspring Maxi
Max. heating element temperature	750 °C / 1380 °F
Max. connection area temperature	260 °C / 500 °F
Voltage	230 V standard
Wattage Tolerance*	± 10 %
High voltage test*	1250 V AC
Insulation Resistance*	≥ 5 M at 500 V DC
Leakage Current*	≤ 0.5 mA at 253 V AC
Standard connection leads	PTFE insulated, CU nickel, multistranded, with ground wire and stainless steel sleeving L = 1500 mm / 59 inch
Thermocouple	integrated, Type J (Fe-CuNi)

*tested at environmental temperature

Options

- Various connection types available (moisture protection required)



Heated Nozzle Tip (BMV)

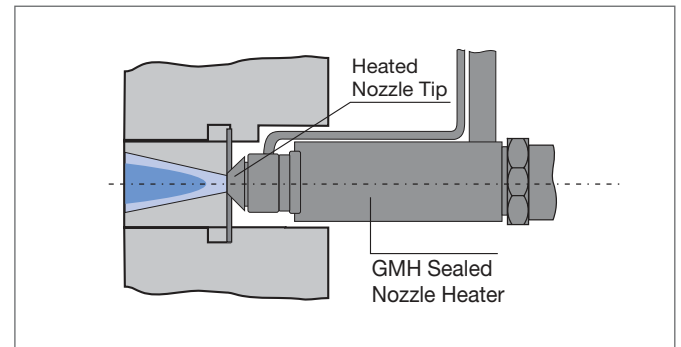
- Balances the temperature drop from the heater body to the nozzle tip
- Higher temperature in the flow path



standard nozzle tip



heated nozzle tip



Easy Removal Nuts



hexagon nut for disassembly of the nozzle tip



draw off nut for nozzle body

Easy Removal Nut Stock Range

Stock ID	for GMH-Type	wrench size
252000	GMH 5/20	55
252001	GMH 50/80/120	65
252002	GMH 200	100

Insulation Tube

- Reduces heat radiation of GMH Sealed Nozzle Heater by almost 60%
- Shorter heat up time
- Optimized flow and temperature distribution
- Outer diameter of the heater increases by about 11 mm / 0.43 inch

Application Notes:

Insulation of the nozzle body covers the entire heated length of the GMH, not in sections.

